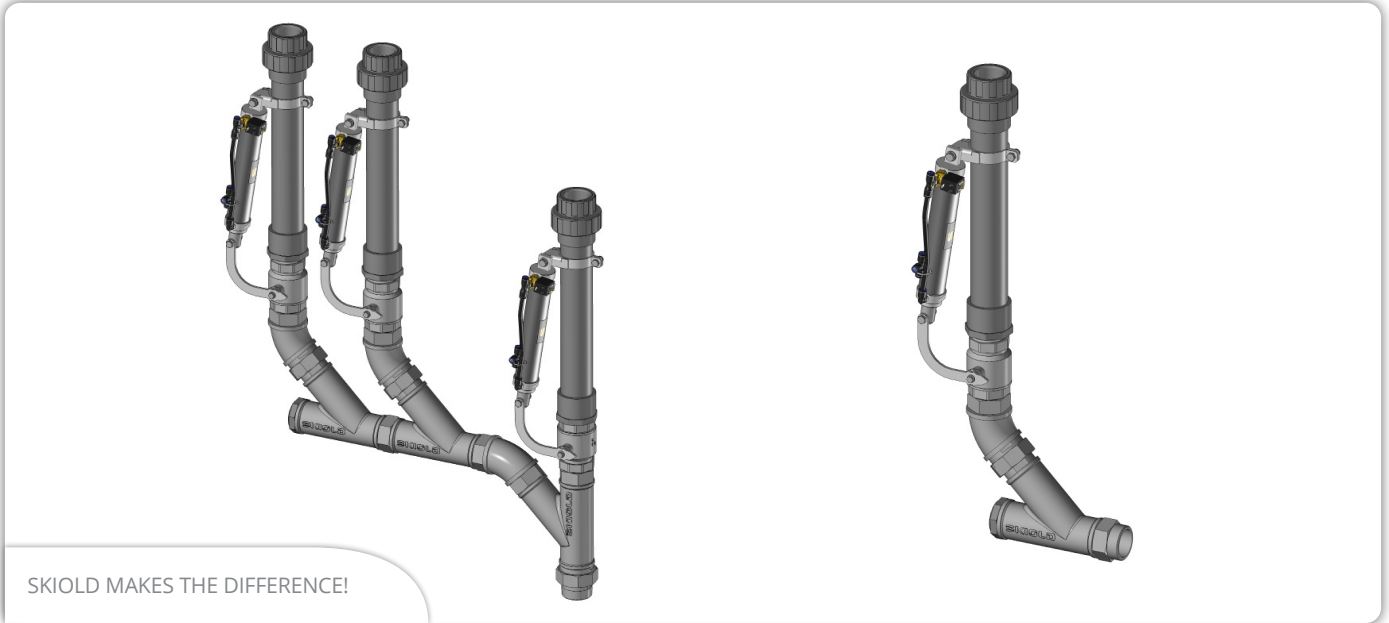




BALL VALVE FOR MAIN CIRCUIT



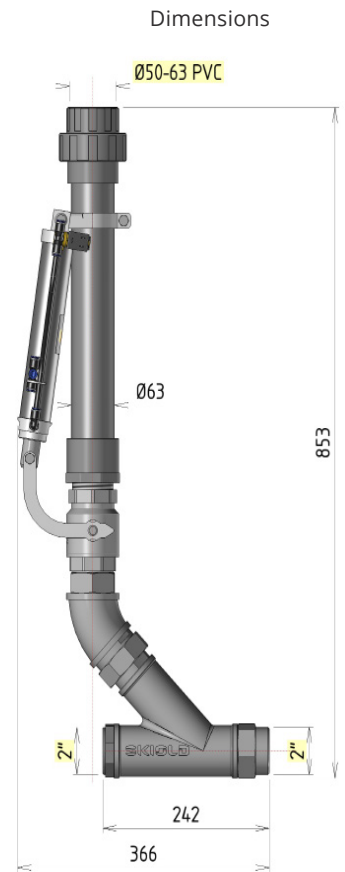
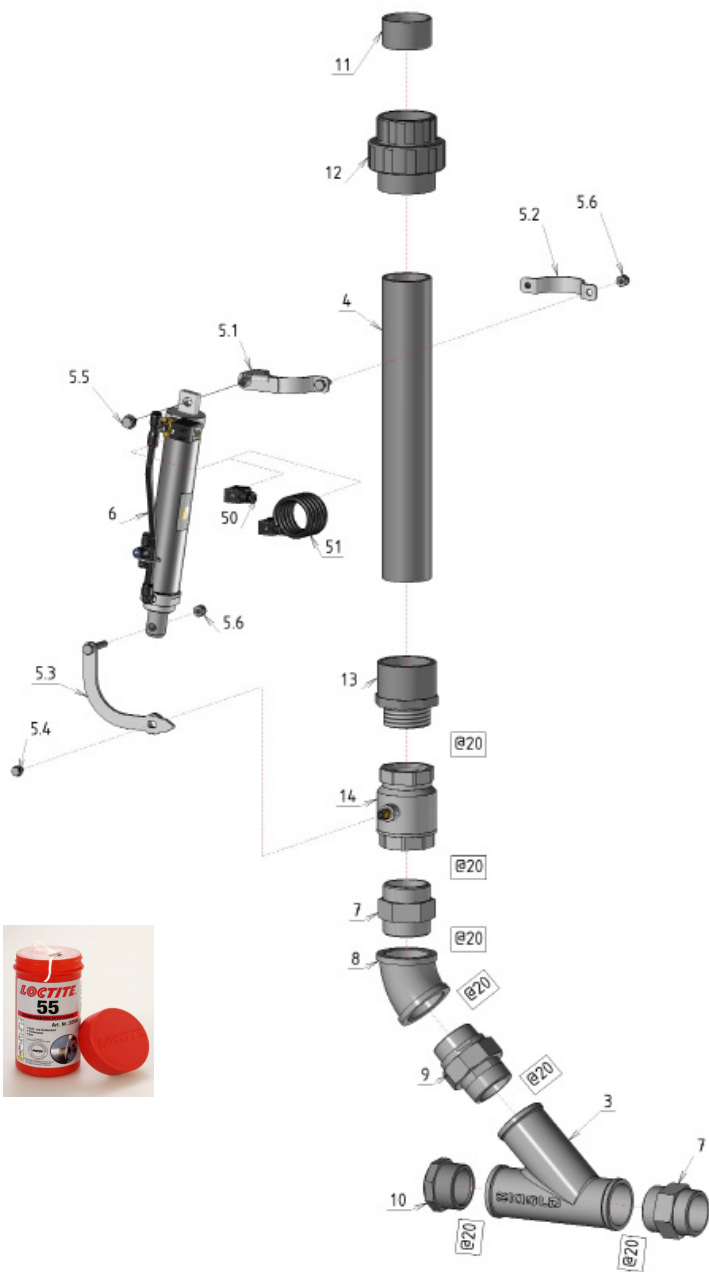
SKIOLD MAKES THE DIFFERENCE!

- The valves used are ball valves. Their use is recommended for long circuits, and, circuits that require a lot of flow rate. Indeed, these ball valves, and the design of the piping, produce nearly no flow reduction or no pressure.
- All packages are delivered as parts, and must be assembled on location.
- The possibility to assemble these packages on cluster makes it possible to build the pipe network.
- All threads must be wrapped with 15-25 laps of fiber thread (@15-25), or other sealant.
- Remember at mounting place, to take into consideration, the mounting position of the cylinder.
- All valves packets are delivered as standard with adaptators to be able to mount on Ø50 & Ø63 as well.
- The valves can be ordered according to the following combinations that follow:

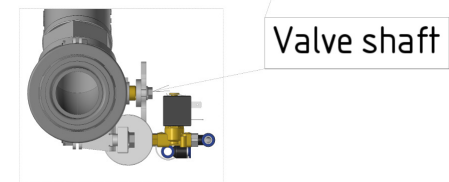
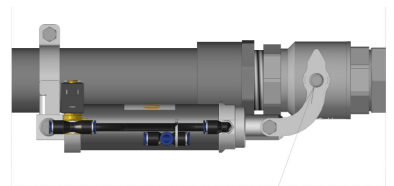
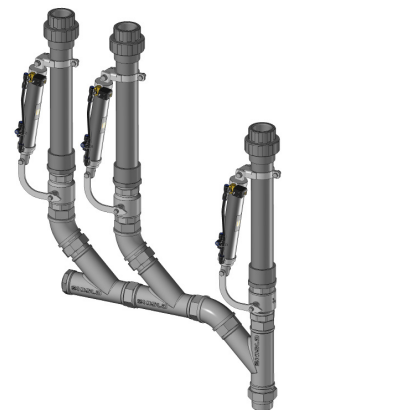


| ITEM NO. | DESCRIPTION |
|--------------|--|
| 150323690000 | Ball valve for main circuit assembled - Without plug |
| 150323690000 | Ball valve for main circuit (kit) - Without plug |
| 150000106301 | Ball valve for main circuit (kit) - With plug |
| 150000109137 | Ball valve for main circuit (kit) - With plug + diode + 10m wire |
| 140009008007 | Loctite 55, fiber thread to pipe, 150m |





Mounting example



Valve shaft position:
ALWAYS HORIZONTAL

| POS. | ITEM NO. | NUMBER | DESCRIPTION |
|------|--------------|--------|--|
| 3 | 140672250500 | 1 | Stainless steel Y F 2" |
| 4 | 150318966000 | 1 | PVC pipe Ø63*400 |
| 5.1 | 150323681000 | 1 | Cylinder attachment Ø63 |
| 5.2 | 150323681010 | 1 | Half clamp for cylinder attachment Ø63 |
| 5.3 | 150323680000 | 1 | Welded connecting rod for 2" valves |
| 6 | 150323830000 | 1 | Cylinder Ø40 C.90 - 24 DC - Ø8 (pneumatic) |
| 6.1 | 140633035003 | 1 | Solenoid valve Asco 24V NF - Alone |
| 7 | 150200000001 | 2 | Stainless steel hexagonal nipple M 2 " |
| 8 | 150200000002 | 1 | Stainless steel bend 45° F 2" |
| 9 | 150200000003 | 1 | Stainless union inox M 2" |
| 10 | 150200000004 | 1 | PVC pressure cap M 2" |
| 11 | 150200762759 | 1 | PVC M63 F50 reduction |
| 12 | 150200762863 | 1 | PVC Union 16b 3P Ø63 |
| 13 | 150200762958 | 1 | PVC fitting M 2" - Ø75M/Ø63F |
| 14 | 150200769145 | 1 | Ball valve 2" Axle=Ø18x14 |
| 50 | 140633035000 | 0 or 1 | Connector Solenoid valve Asco |
| 51 | 140633035023 | 0 or 1 | Connector + diode + wire 10m |
| 60 | 140009008007 | | Loctite 55, fiber thread to pipe, 150m |