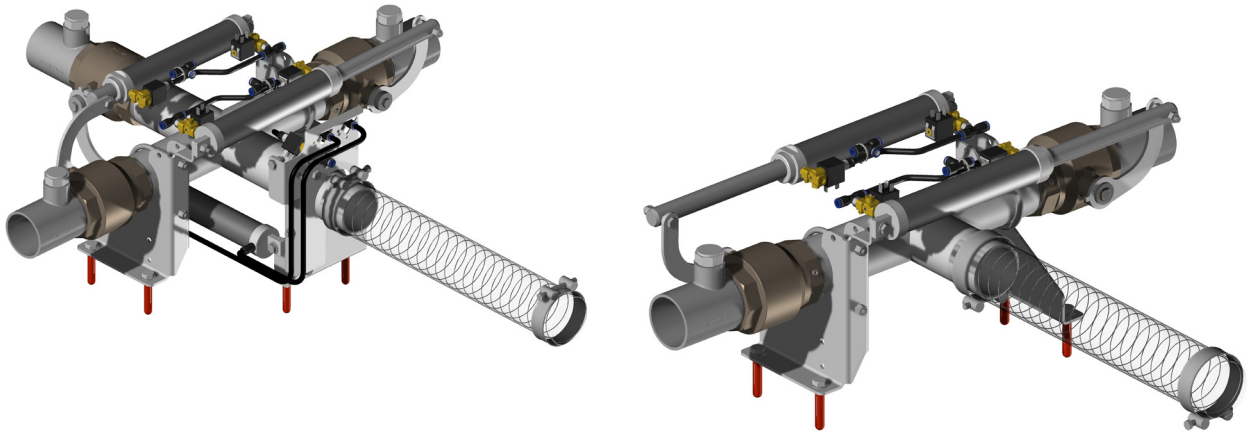




INLET DIVIDER WITH VALVES



SKIOLD MAKES THE DIFFERENCE!

Stainless steel inlet dividers with valves are connected with tanks (2 or 3). They are mounted directly on the piping between the tank and the stone trap.

- Input & output : Ø76mm ext.
- Plug 1" on the inlet
- Supplied with Ø76 hose (500mm) + 2 stainless steel hose clamps Ø80-85mm
- Ball valves (2 or 3) controlled by pneumatic cylinders
- Solenoid valves (2 or 3) supplied in 24V (order connectors in supplement) - Air inlet Ø8mm

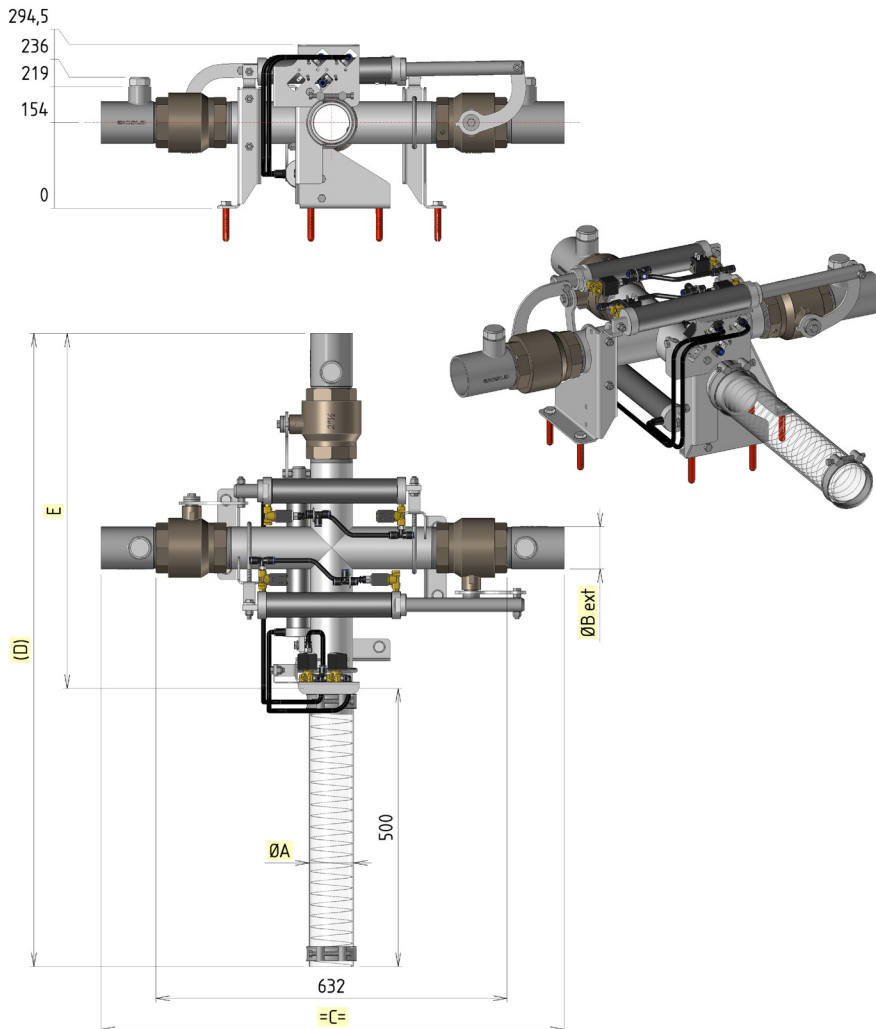
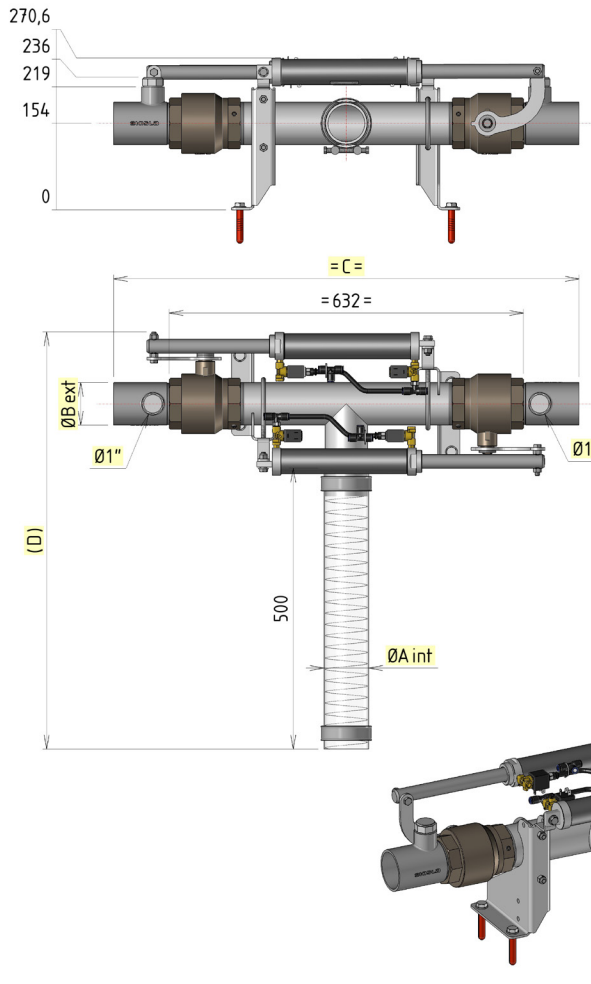
ITEM NO.	DESCRIPTION
150000103068	Inlet divider with valves for 2 tanks - Ø76mm - Without plug
150000103069	Inlet divider with valves for 3 tanks - Ø76mm - Without plug
150000103072	Inlet divider with valves for 2 tanks - Ø76mm - With simple plug
150000103073	Inlet divider with valves for 3 tanks - Ø76mm - With simple plug
140311001004	Inlet divider with valves for 2 tanks - Ø76mm - With plug + diode + 10m wire
140311001005	Inlet divider with valves for 3 tanks - Ø76mm - With plug + diode + 10m wire



Dimensions

For 2 tanks

(MM)	Ø70	Ø76
ØA	Ø70	Ø75
ØB	Ø70	Ø76
C	931	830
D	783	723



For 3 tanks

(MM)	Ø70	Ø76
ØA	Ø70	Ø75
ØB	Ø70	Ø76
C	931	830
D	1199	1139