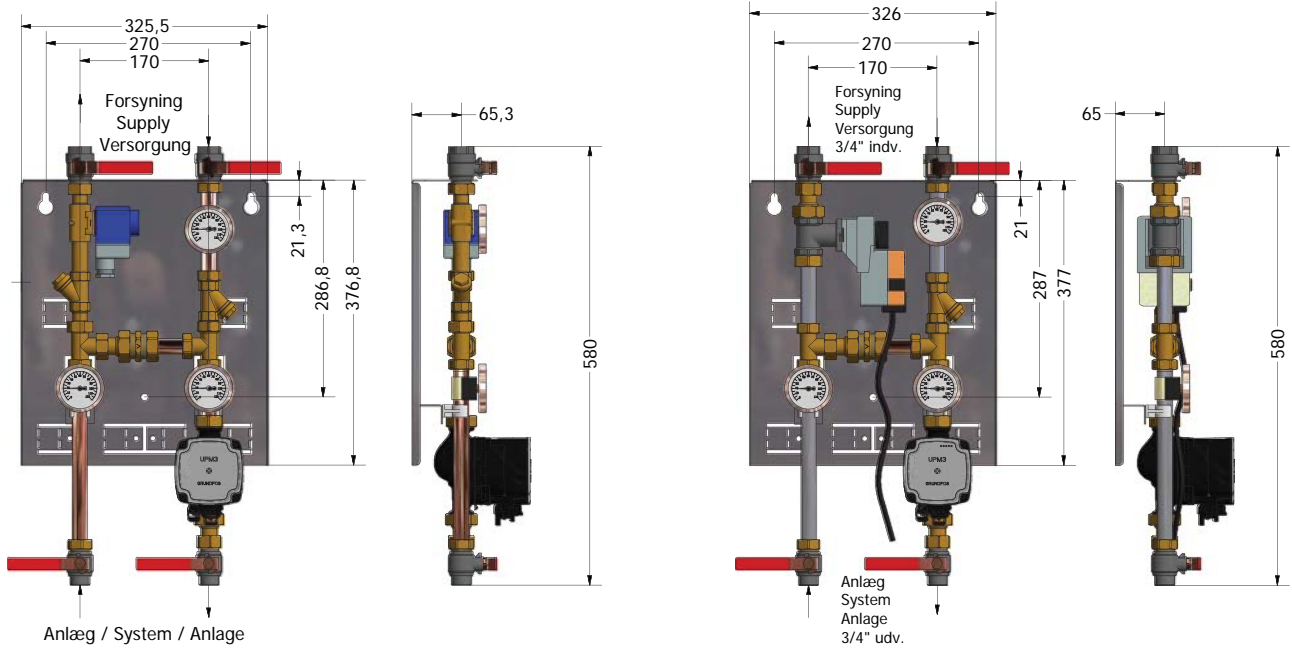




# SKIOLD RHS RADIATOR HEATING SHUNT



SKIOLD MAKES THE DIFFERENCE!

140004900520 - 140004900524

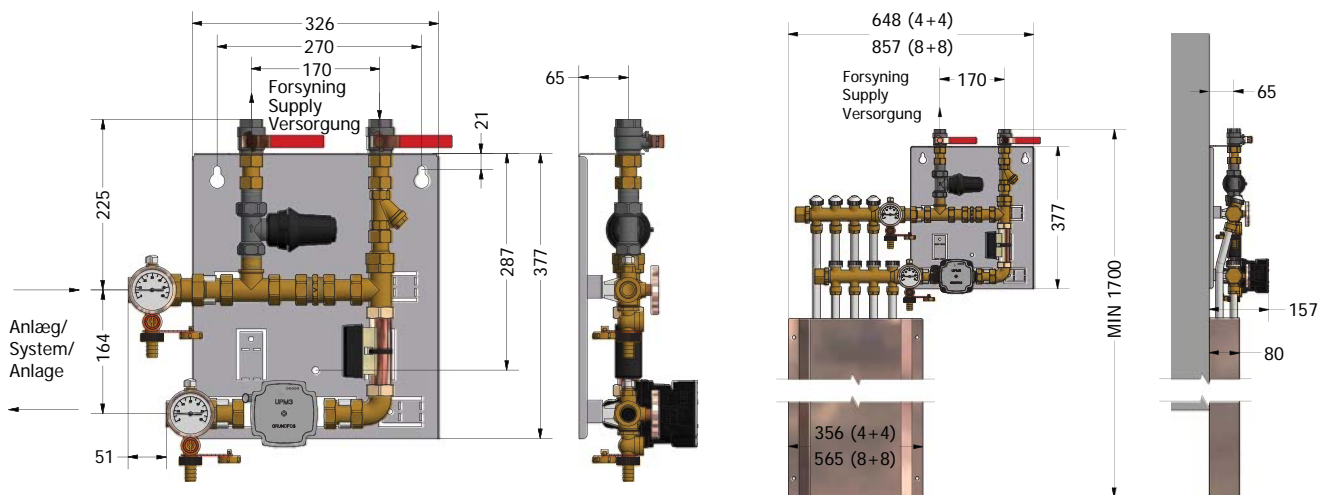
All measures in mm

SKIOLD RHS - Radiator Heating Shunt - for room temperature adjustment of room heating systems supplied with SKIOLD hot dip galvanized fin tubes.

- Standard sizes from 1,0 – 6,3 kvs
- Water amount up to 2,2 m<sup>3</sup>/h equivalent to 51 kW at inlet temperature 70°C and outlet temperature 50°C.
- Embedded filter
- Motor valve 0-10 VDC/230 VAC for full automatic adjustment by ventilation control unit
- 0-120°C thermometres the inlet supply, inlet section and outlet section
- Stainless steel tubes and mounting plate
- GRUNDFOS UPM3, circulation pump.
- Laterally reversible
- Supply connections: 3/4" female thread
- System connections: 3/4" male thread
- Pressure grade PN 10

FACTS	
Item Number	Description
140004900505	SKIOLD RHS 1,5 kvs on/off, 24 VAC
140004900520	SKIOLD RHS 1,0 kvs 230 VAC
140004900521	SKIOLD RHS 1,6 kvs 230 VAC
140004900522	SKIOLD RHS 2,5 kvs 230 VAC
140004900523	SKIOLD RHS 4,0 kvs 230 VAC
140004900524	SKIOLD RHS 6,3 kvs 230 VAC

# SKIOLD FHS FLOOR HEATING SHUNT



All measures in mm

SKIOLD FHS - Floor Heating Shunt - for adjusting floor heating in farrowing houses, weaner houses or similar housing units.

- 2 – 8 circuits per shunt/20x2mm PEX
- Easily read 0-60°C thermometres on both inlet and outlet
- Stainless steel tubes and mounting plate
- Brass fittings
- Embedded filter
- GRUNDFOS UPM3, circulation pump.
- Danfoss thermo-valve type FTC
- 3/4" socket connections
- Stainless steel cover option
- Low maintenance
- Laterally reversible

## FACTS

Item number	Description
140004900022	SKIOLD FHS 2+2
140004900033	SKIOLD FHS 3+3
140004900044	SKIOLD FHS 4+4
140004900055	SKIOLD FHS 5+5
140004900066	SKIOLD FHS 6+6
140004900077	SKIOLD FHS 7+7
140004900088	SKIOLD FHS 8+8
140004907000	Cover for 2+2 til 4+4
140004907005	Cover for 5+5 til 8+8