



SK TRANSPORK VOLUME DISPENSER



SKIOLD MAKES THE DIFFERENCE!

Asymmetric outlet which can be mounted in 4 positions. Asymmetric outlet means that the drop tube can be mounted out on the wall.

Easy adjustment of feed amount.

Easy to read volume scale.

Fits on transport systems with pipe size Ø38/45/48/50/50,8/60/63,5/75mm.

Cleaning hatch, for cleaning the inside of the volume dispenser.

Bottom lock, the lock function causes a volume dispenser can be taken out of the feeding sequence, so there is a possibility of special inspection of the selected sows.

Shutter in the top, stops the allocation of feed into the volume dispenser.

Center inlet ,advantage at the center inlet is very equal dosage.

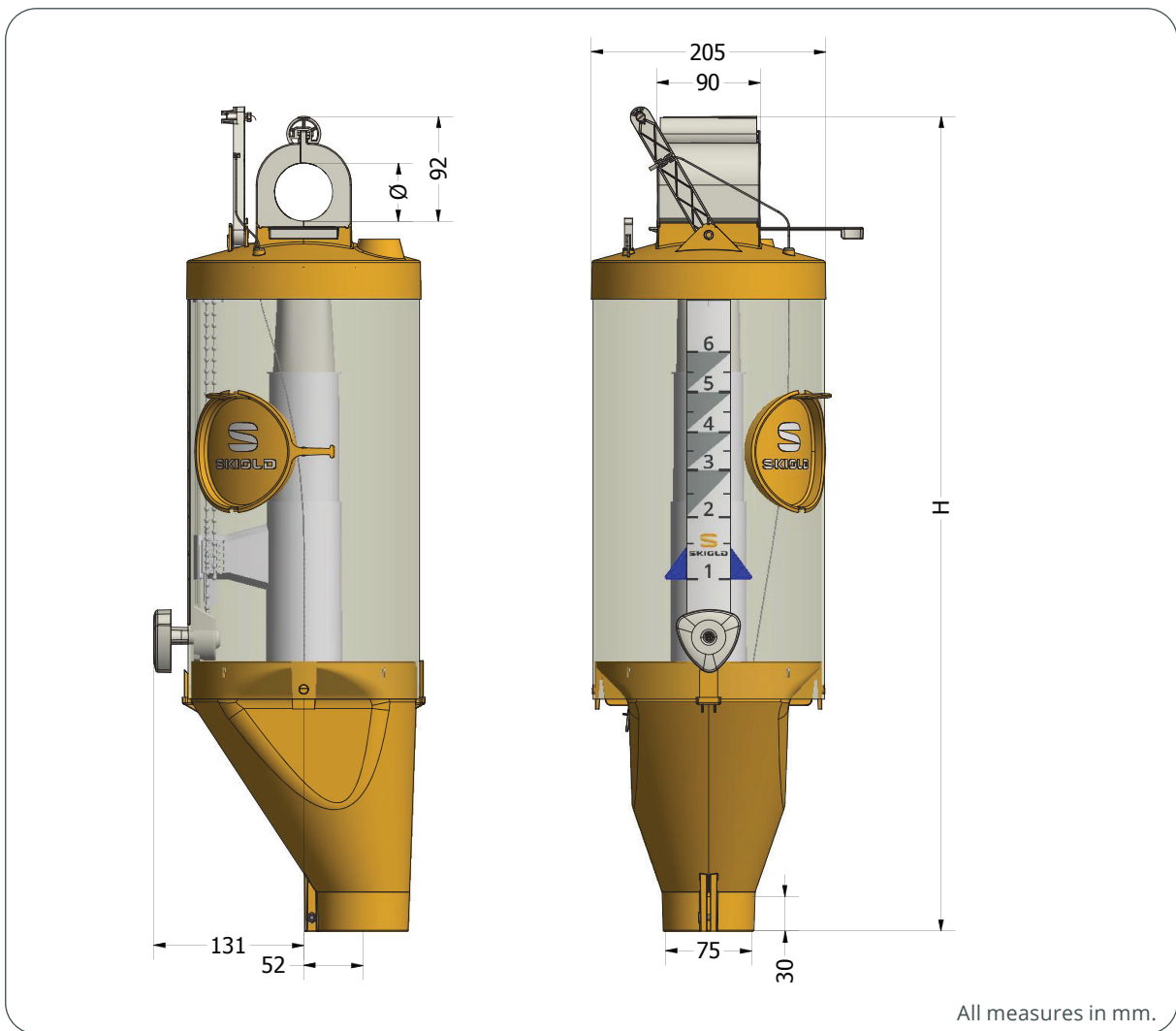
Volume content of max. 4/6/8/10 liter.

The transparent container provides a concise overview of the amount of feed.

Operation bar (optional) with Operation bar feed amount can be adjusted from the inspection corridor.



SKIOLDVMS



All measures in mm.

The volume dispenser is delivered unassembled in hopper parts, dispenser parts and top parts. The hopper and top parts are identical for all volume dispenser sizes. (adaptor half parts excluded)

Each box contains 5 off dispenser parts or 5 off pre-assembled top/hopper parts.

Transport:

Dispenser parts:

- 4 - 6 litres
600 x 390 x 370
- 8 litres
600 x 390 x 450
- 10 litres
600 x 390 x 580



Weight: see data table

Top-/hopper parts:

- 600 x 390 x 370



Weight: 4 kg

DATA:

Version	Height (H)	Minimum volume	Shipment weight
4 Litres	639mm	0,85 Litres	4,5 kg.
6 Litres	705mm	1,10 Litres	5,1 kg.
8 Litres	771mm	1,30 Litres	5,7 kg.
10 Litres	837mm	2,60 Litres	6,4 kg.

Adaptors: Ø38mm - Ø45mm - Ø48mm - Ø50mm - Ø50,8mm - Ø60mm - Ø63,5mm - Ø75mm.

Guideline density: Flour = 0,55 kg/liter, Pellets = 0,7 kg/liter.

Please note: Capacity in flour feed can vary considerably, depending on the feed's nature.