



WIRE CLEANING MACHINE



SKIOLD MAKES THE DIFFERENCE!

The machine is designed to clean transport wire for remainings and dirt.

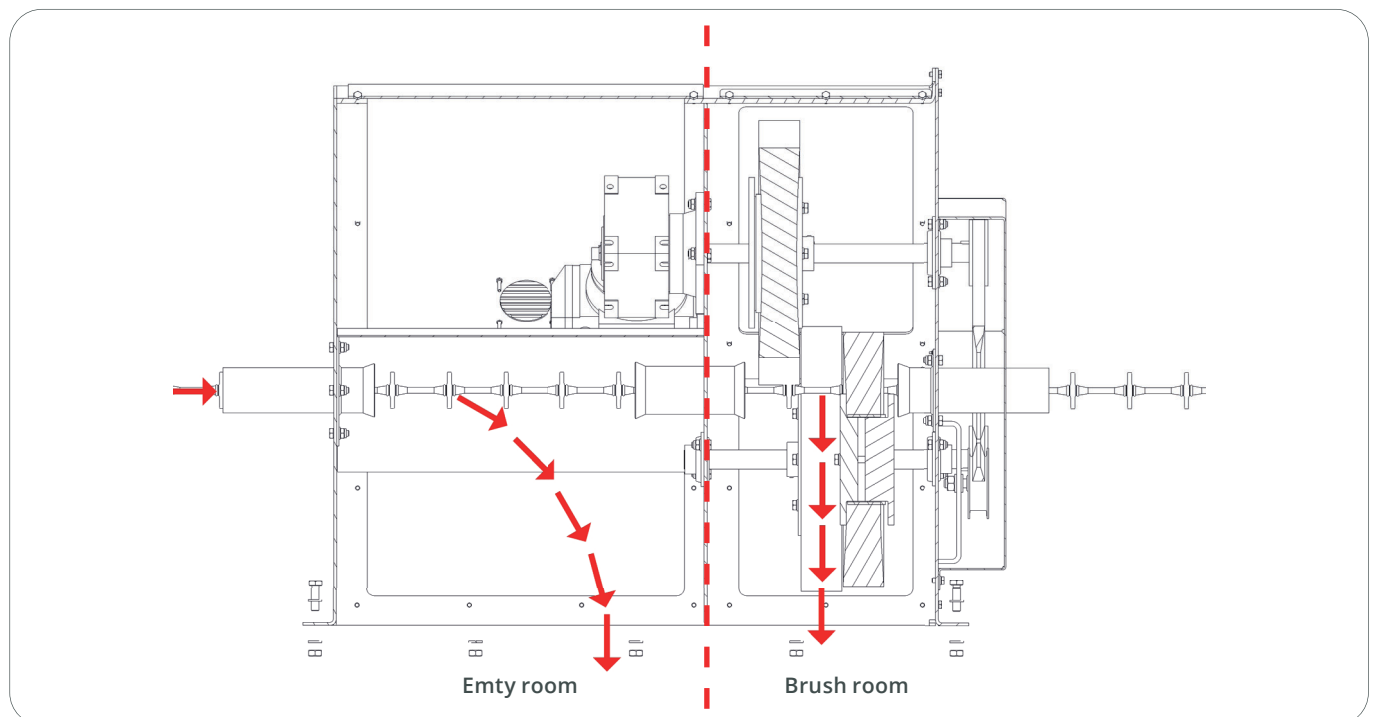
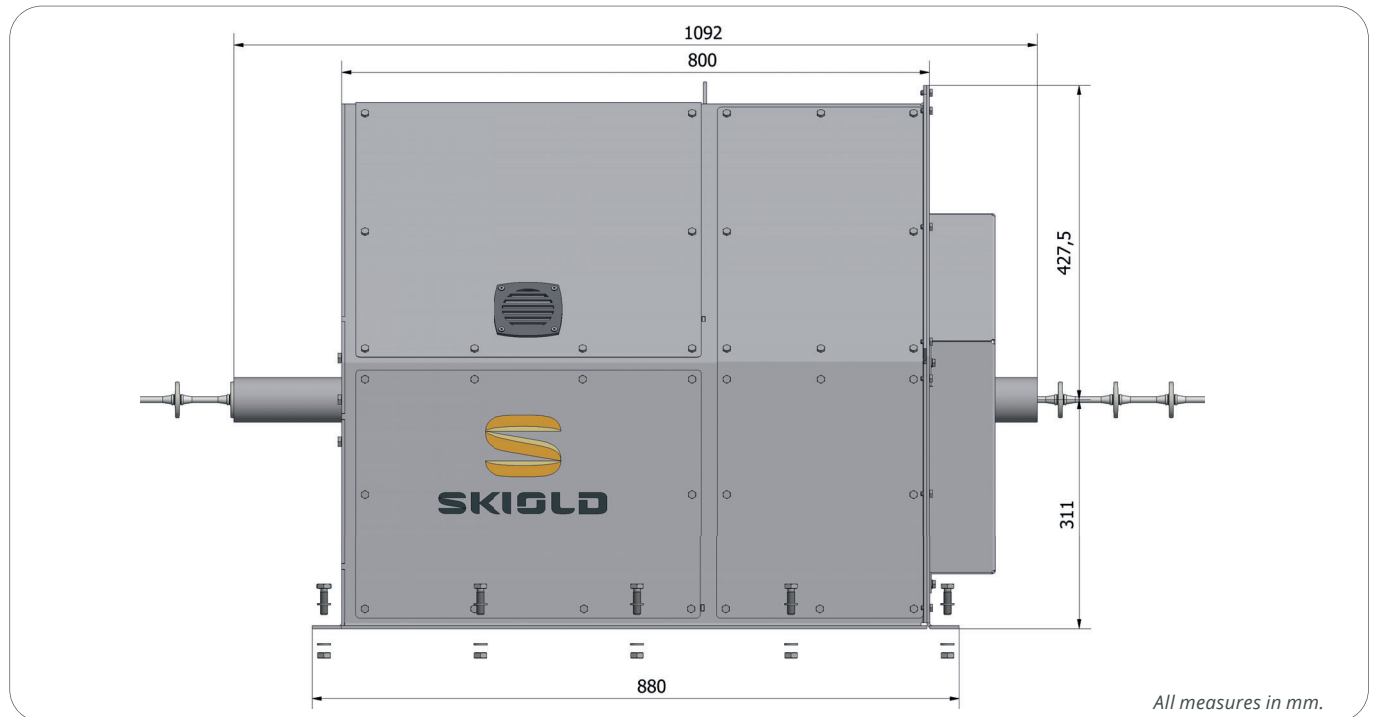
The machine must only be used inside.

The Machine is for cleaning transport wire, which are transporting meal and pellets of a diameter of up to max. 5 mm, and a length of max. 10 mm, but can also be used for similar materials. However, the system is most suitable for granulates with a diameter smaller than 5 mm, where there is no risk that the material will jam between pipe and system discs. Beet pellets and other hard pellets should be avoided.



SKIOLDVMS

Dimensions:



The machine is divided into two chambers:

1. chamber one is the first chamber to drain the pipe for remaining materials.
2. chamber two is where transport wire is brushed clean for remainings on the transport wire.

These two remnants can go into one silo or into two silos depending on what is built under the wire cleaning machine.

TECHNICAL SPECIFICATIONS

Net. weight (approx.)	155 kg
Capacity	2700 Liters/hour
Motor:	0,75 kW, 2800 rpm, 400/690 V, 50 Hz