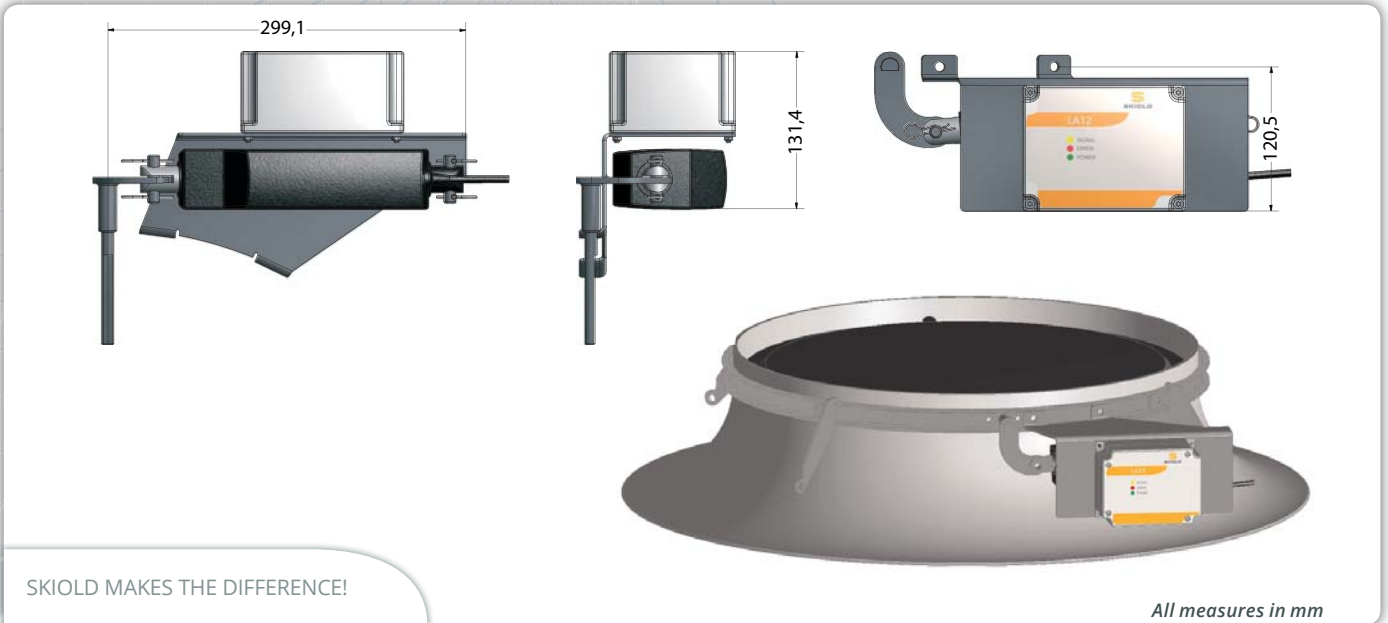




SKIOLD LA12 SERVOMOTOR



Servo motor for adjustable damper Ø600 and Ø800.
 Built-in potentiometer for accurate positioning.
 Standard emergency opening.
 Built-in alarm relay and optional connection of emergency thermostat.

Continuous surveillance of supply voltage, control voltage, battery voltage, actuator position and current consumption - when detecting an error, emergency opening and alarm relay are activated.

Built-in back-up battery. Stand-by current consumption without mains supply: 20mA.
 Battery back-up before the battery is flat: 30 timer. Battery capacity checked every 30 hours.

Lamps are used for error indication.
 Green lamp: ON
 Red lamp: ERROR
 Yellow lamp flashes with varying frequency depending on the strength of the control signal (2V = slow, 10V = fast)

Control unit

Supply Voltage	Battery	Temperature protection	Dig. Input 0 & 1	Control voltage hysteresis	Analogue Input	Sealing Grade	Intermittence
24VAC +10%/-20%	12V 0.8 A/h	120 °C	24VAC	+/-0,3V	0 - 10VDC	IP65	50% (max. load)

ACtuator

Max. pulling force	Stroke	Sealing grade
750N	100mm	IP66

