



## SKIOLD DISC MILL



SKIOLD MAKES THE DIFFERENCE!

### SKIOLD DISC MILL SK780

Optimal feed structure for all animal groups

Capacity up to 30 t/h

Exceptional durability on wearing parts

Option of adjusting the grinding degree during operation

Easy to maintain

Low power consumption

Low noise level

Automatic lubrication system

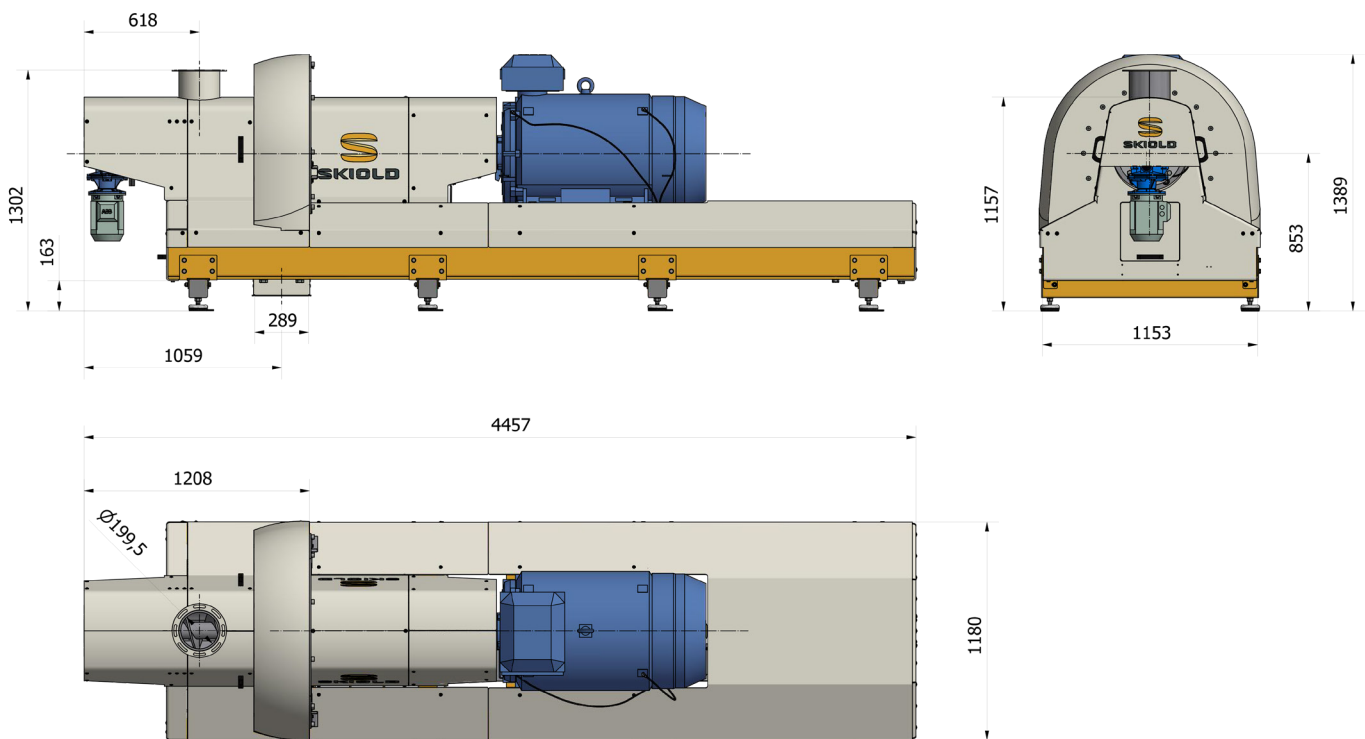


# SKIOLD Disc Mill

SKIOLD SK780 DISC MILLS may be used for grinding of ordinary cleaned small-grained seed crops in storage dry condition and with a maximum diameter of 10 mm. Wheat, barley etc. can furthermore be ground from air tight silo with up to 25 % moisture content. However, please note that the capacity is reduced by approx. 5 % for each percentage of moisture

content higher than 15 % - for example 18 % moisture content reduces the capacity by  $(18-15) \times 5 = 15\%$ .

The disc mill is also suitable for granulation of clean pelleted feed products, and wood pellets, with a pellet diameter of up to  $\varnothing 25$  mm.



Data sheet: 130 986 023 959\_03: 03-07-2019.

## TECHNICAL SPECIFICATIONS

Main motor (kW):	160 - 200
Main motor (rpm):	3000
Disc diameter, external (mm):	780
Distance regulation:	Automatic
Approx. noise level (dB):	80
Shipping weight (kg):	4600
Feeding auger (kW):	0,75

## CAPACITY

Cereal	160 kW	200 kW
Barley	9000-19500	12000-26000
Wheat	9000-22500	12000-30000
Maize	9000-22500	12000-30000
Oats	7500-18000	12000-24000
Peas	7500-18000	12000-24000

In storage dry and well cleaned crops, max. kg/h.  
The capacity depends on the grinding fineness.