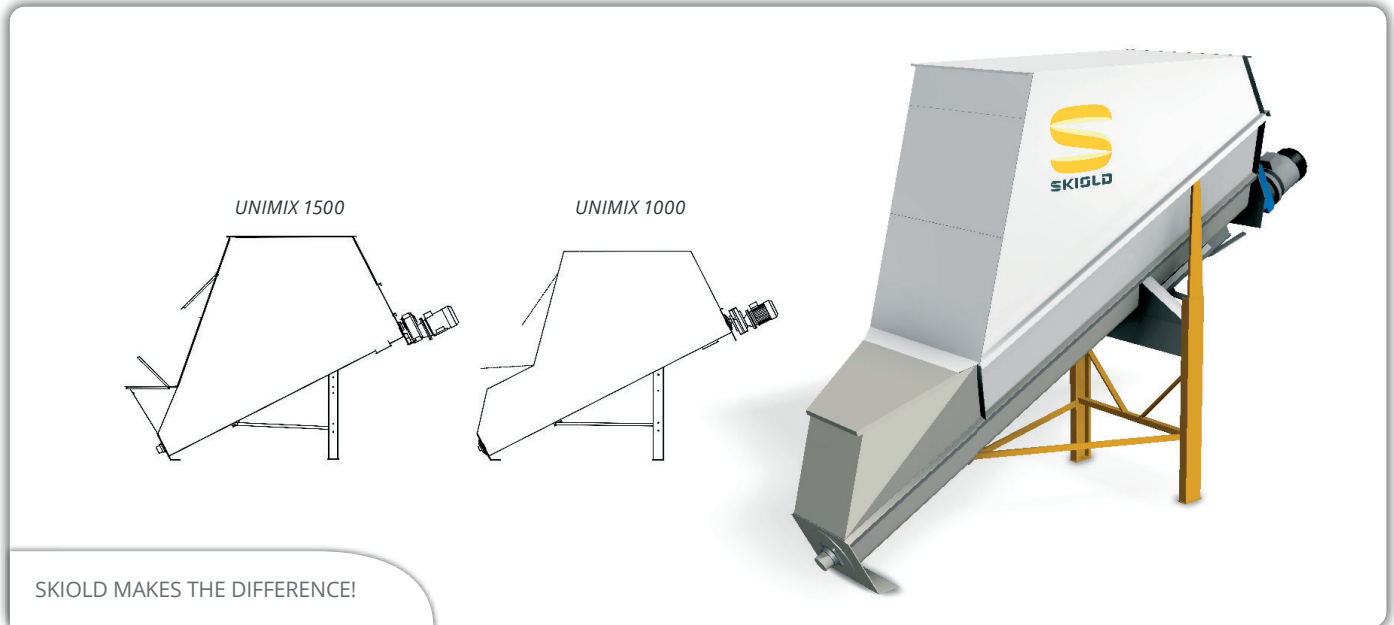




SKIOLD INCLINED MIXER



SKIOLD UNI-MIX INCLINED MIXER 1000/1500

- Also capable of mixing small quantities
- Easily accessible concentrate hopper
- Efficient - even with fat and molasses
- Suitable for placing on load cells
- Sturdy construction with gear motor drive
- High mixing accuracy - also in moist materials

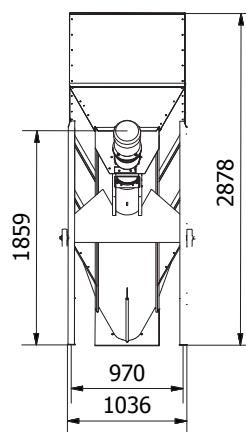
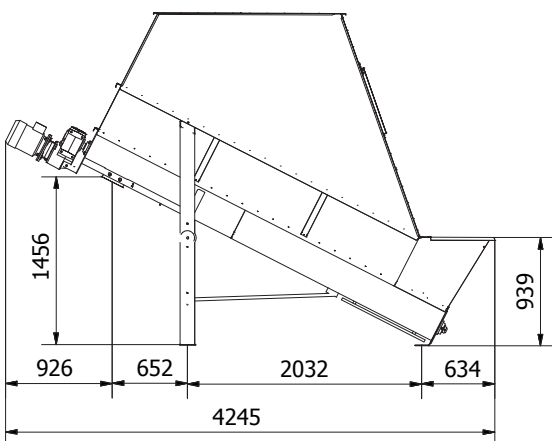
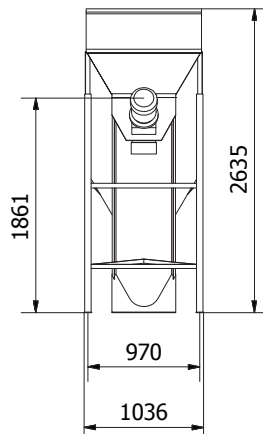
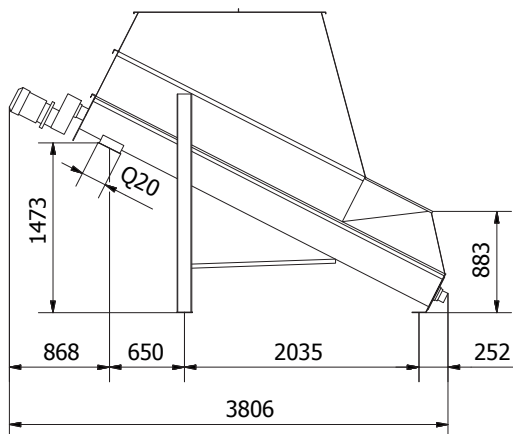


SKIOLDVMS

SKIOLD UNIMIX

The diagonal mixer is suitable for accurate mixing of almost any kind of raw material in the form of meal or granulate. It is possible to add liquid raw material such as fat, molasses or oil during the mixing process. The mixing principle based on a

large, slowly rotating bottom auger is gentle to the structure of the raw material which makes the diagonal mixer suitable for mixing of feed for cattle containing crushed material. Mixing of CCM is possible.

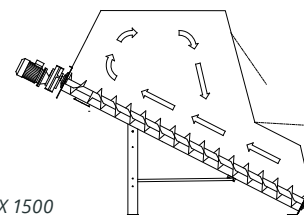


Data sheet: 130 986 023 949_03_22-01-2021.

TECHNICAL SPECIFICATIONS

	UNIMIX 1000	UNIMIX 1500
Mixing capacity (t/h)	3	4,5
Batch size (dry ingredients, kg)	1000	1500
Emptying time (minutes)	8-10	10-12
Mixing time (dry ingredients, minutes)	10-15	10-15
Mixing time (liquid ingredients < 3%, minutes)	15-20	15-20
Mixing accuracy	1:100.000	1:100.000
Motor size (kW)	4	5,5
Weight empty mixer (kg)	440	465
Liquid max.	6%	6%
Mixer angle	27°	27°
Transmission	Gear motor	Gear motor

UNIMIX 1000



UNIMIX 1500

