



## SKIOLD SCREEN CLEANER



SKIOLD MAKES THE DIFFERENCE!

### **SKIOLD SCREEN CLEANER**

Efficient cleaning with two screens

Cleaning capacity up to 6 tons / hour

Optimized feed quality

Closed construction reduces dust development

Possibility of "by pass"

Quick and easy replacement of the screens

Effective cleaning of screens with rubber balls

Multiple screen sizes



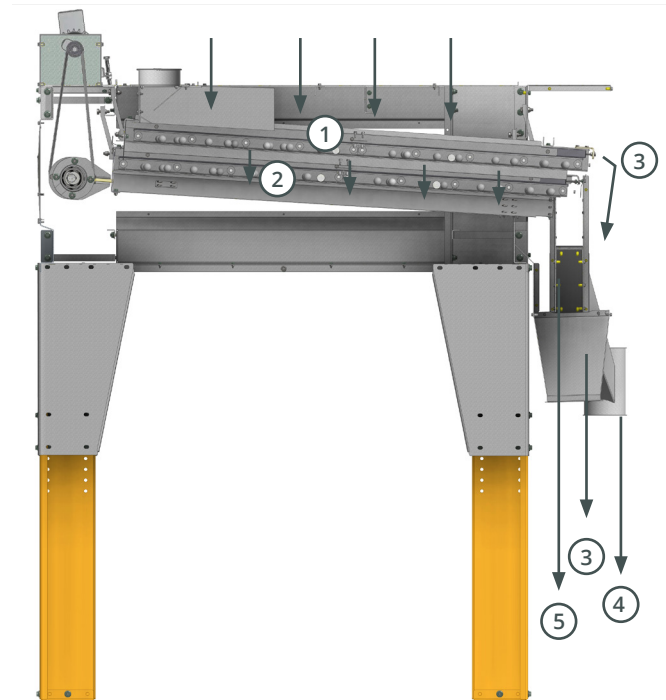
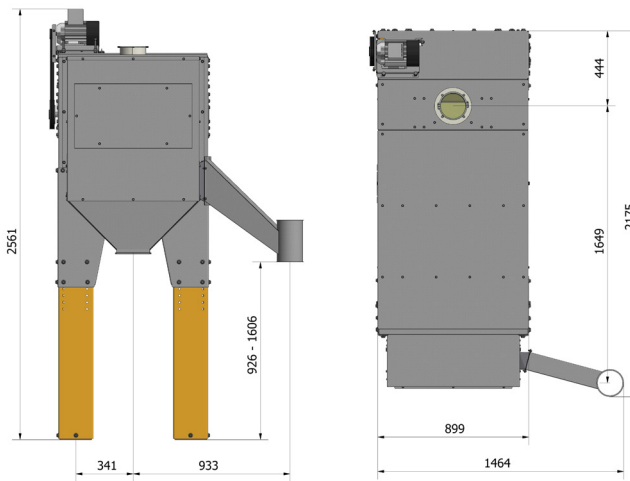
# SKIOLD Screen Cleaner

The SKIOLD screen cleaner is designed for efficient cleaning separating both under- and oversized impurities from many different sorts of raw materials for animal feed e.g. wheat, barley, maize, peas, etc.

The SKIOLD screen cleaner meets the still higher demands on eliminating dust emission due to its sealed design and preparation for an additional dust-filtering unit if required.

The size of the holes of the upper screen must be adapted to the materials to be cleaned, the required cleaning effect and capacity.

As an all-round solution to raw materials like barley and wheat a Ø8 mm upper screen is recommended. It is also recommended to use rubber balls that ensure self-cleaning screens.



Data sheet: 130 986 003 948\_02. 12-06-2019

TECHNICAL SPECIFICATIONS				
Pre cleaning				
	Barley/wheat/rye/oats	Rapeseed	Peas	Maize
Upper screen	Ø8 - 10	Ø6	Ø10	Ø13 - 15
Lower screen	Ø1,5 x 20	Ø1,0 x 20	Ø2,5 x 20	Ø2,5 x 20

More screen sizes available

## Cleaning Principle

- Upper screen, many sizes
- Lower screen, many sizes
- Straw, wood pieces, strings, stones etc.
- Cleaned raw material to the grinding unit
- Sand, dust, weed seeds

TECHNICAL SPECIFICATIONS	
Motor (kW)	0,55
Screen area upper (m <sup>2</sup> )	1,02
Screen area lower (m <sup>2</sup> )	0,98
Vibrations per sec.	8,21
Capacity max. (t/h)	6

