



SKIOLD HAMMER MILL



SKIOLD GØR EN FORSKEL!

SKIOLD HAMMER MILL – DM6-G

Suitable for grinding cleaned seed

High capacity up to 6.5 t/h

Low heat generation

Less condensation

Low power consumption

Simple and reliable construction

7,5 - 22 kW motor



SKIOLD Hammer Mill

SKIOLD Hammer Mill

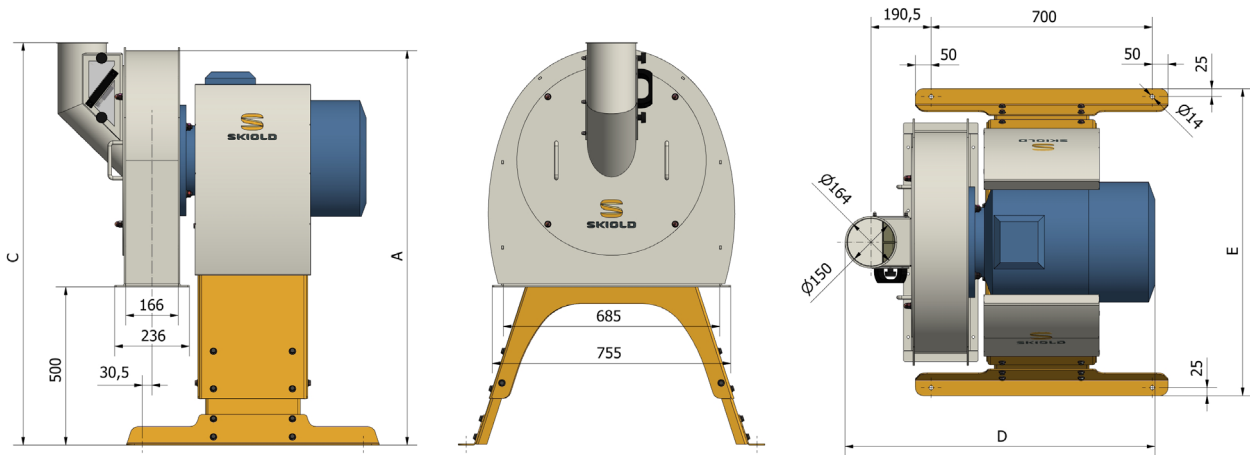
SKIOLD Hammer Mill DM6-G is ideally suited for grinding of animal feed and may be used for grinding of ordinary cleaned small-grained seed crops in storage dry condition.

Wheat, barley etc. can furthermore be ground from gas proof silo with up to 25 % moisture content.

Wearing Parts

All wearing parts in the mill are easily replaced by original SKIOLD parts. The wearing parts are made of quality material which ensures that servicing of the mill is kept to a minimum. Constant research into prolonging the durability of the parts is carried out as well as constant surveillance of new raw materials as they become available on the market.

The simple but robust construction of the mill enables it to be accommodated into most existing systems.



Data sheet: 130 986 003 115_04_24-06-2019.

MEASURE SKETCH

Motor	A	B	C	D	E
7.5 kW	1102-1400	452-750	1200-1500	830	971-1165
11 kW	1130-1400	480-750	1230-1500	940	
15 kW					
22 kW	1150-1400	500-750	1250-1500	1025	

TECHNICAL SPECIFICATIONS

Motor (kW):	7.5 - 11 - 15 - 22
Motor (rpm):	2800
Screen area (cm ²):	2700
Screen types:	∅ plate screen/ □ inter-woven screen
Number of hammers:	28
Approx. noise level (dBa):	85
Shipping weight (kg):	205 - 245 - 255 - 270 - 315
Guiding capacity (kg/h):	350-6500

CAPACITY

Material	∅ 4.0 mm screen	□ 4.0 mm inter-woven screen
Barley	950-3200	1200-4000
Wheat	1250-4200	1250-4200
Oats	350-1400	500-1800
Maize	1650-5300	1950-6500

Measured in storage dry and well cleaned crops, max. kg/h with motor sizes 7.5 - 22 kW. The capacity varies depending on screen size, motor size, moisture contents and type of cereal. NB! When grinding moist material the capacity will be reduced by 5 % each time the moisture contents are increased by 1 %.